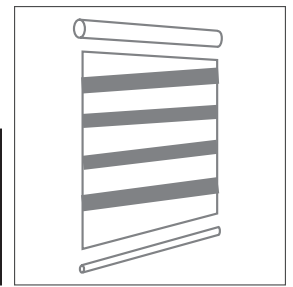


TwinLight SHADES



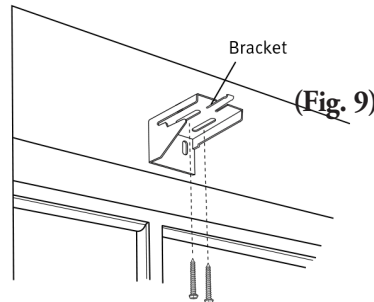
INSTALLATION & OPERATING INSTRUCTIONS

CASSETTE SHADES

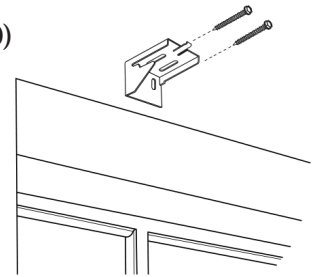
Popular Cassette system is shipped as one complete assembly for easy installation. Continuous control loop offers precise shade positioning while the control remains the same length. Comes with tension device that must be mounted in order for the shade to operate.

INSIDE MOUNT

Position the first two brackets 2" from the ends. Evenly space any additional brackets between the two end brackets. (Fig. 9) Brackets may be mounted to wall, ceiling, or inside of window frame.



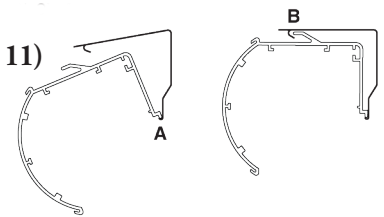
(Fig. 10)



OUTSIDE MOUNT

The end brackets are mounted back against the window casing or up against the ceiling. (Fig. 10)

(Fig. 11)



INSTALL THE SHADE

Position the headrail with the back panel (A) resting on both bottom hooks of all the brackets. Push the front of the headrail firmly upwards and toward the window until the groove at the top of the headrail snaps into place (B). (Fig. 11)

OPERATING THE SHADE - LOOP CONTROL

Light is controlled with the layers of fabric alternating between sheer and solid fabric bands.

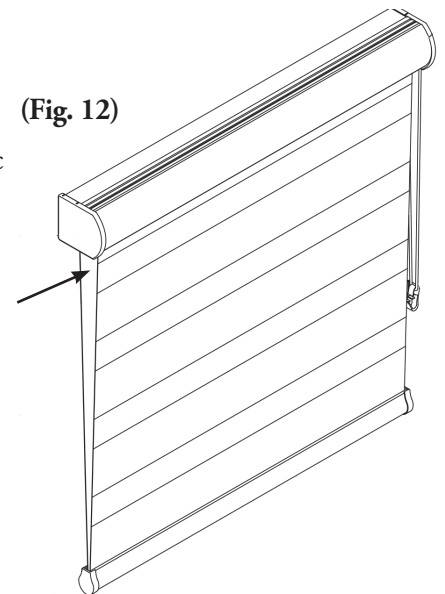
Lower the shade, using the chain loop. When fully lowered, the hem bar should sit just above the window sill and the solid fabric bands should overlap for privacy.

Over-rotating the chain loop will cause the fabric to roll backwards back onto the tube creating a gap (Fig. 12) between the front and back layers of fabric, compromising privacy and causing wrinkles in the fabric bands.

Caution! Do not over-rotate the shade past the point of being fully lowered.

To allow light and view-through, raise the shade using the chain loop to the preferred position.

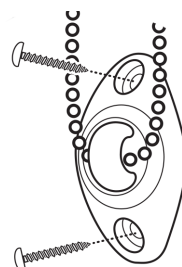
(Fig. 12)



CHILD SAFETY

The tension device reduces the hazards of strangulation and entanglement of young children and pets by limiting access to the control loop. The tension device must be installed to make the shade fully operational.

Pull tension device down until the chain is taut on both sides. Mark the upper screw hole, and using screws provided, install tension device with upper hole 3/8" above mark.



! WARNING:

Young children can become entangled and strangle in cords. Keep all cords out of the reach of children.

QUESTIONS? Call Vista's hotline for quick assistance. 800-726-3380

**Vista
Products**

K2175 © 09/16