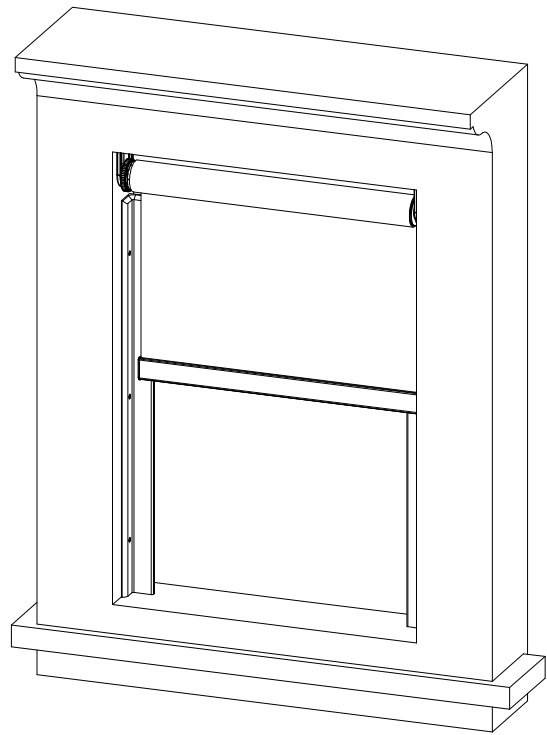


Light Guard System Installation Instruction



Recommended tools

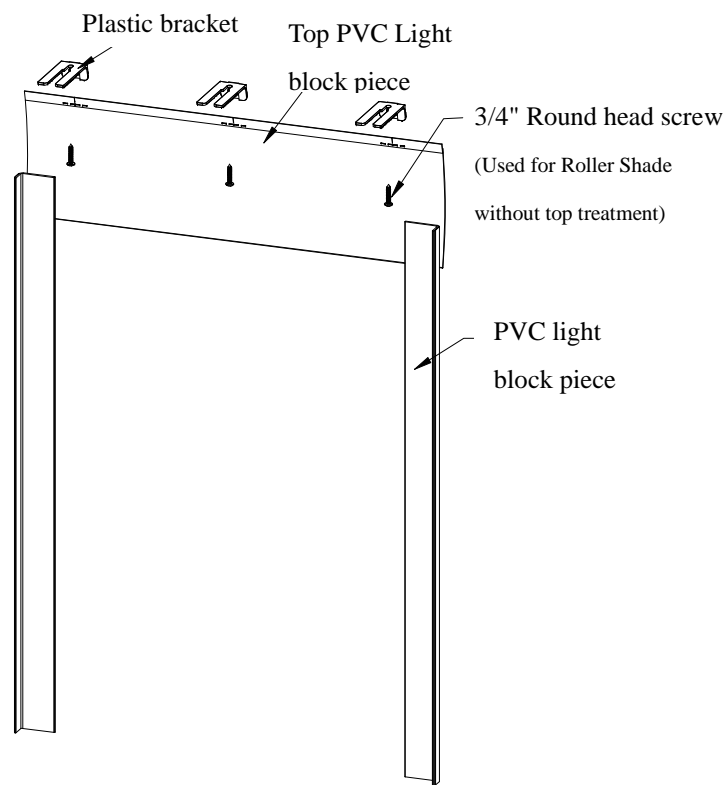
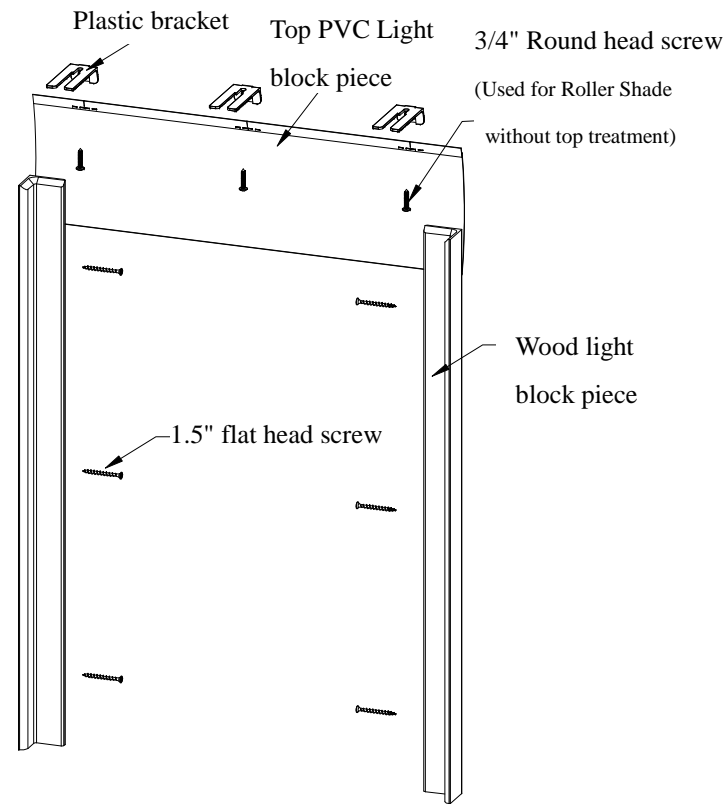
- Power drill
- Tape measure
- Screwdriver
- Level ruler
- Pencil



Hardware included

Hardware	Picture	Usage
3/4" round head screw		Installing Plastic bracket for Roller Shade without Top Treatment
1.5" flat head screw		Installing left and right vertical wood light block pieces
Plastic bracket		Installing top horizontal PVC light block piece

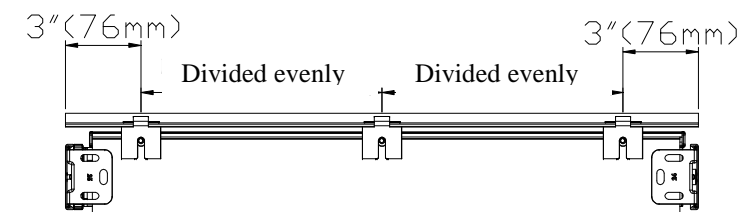
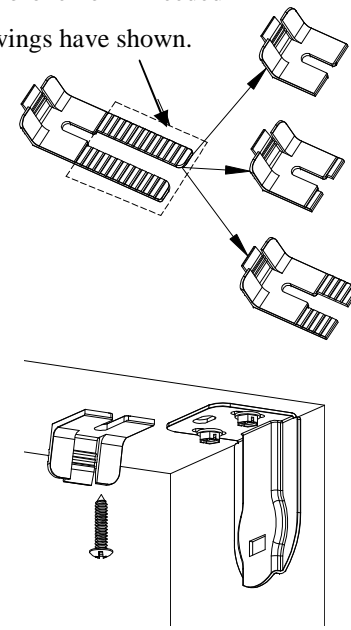
Light guard system drawing



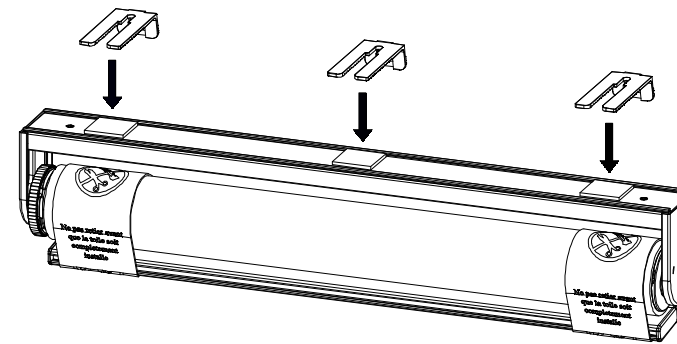
Install plastic bracket for the top PVC light block piece

- For Roller Shade without top treatment: Each plastic bracket needs one 3/4" round head screw for installation.

This part can be broken off if needed as the right drawings have shown.

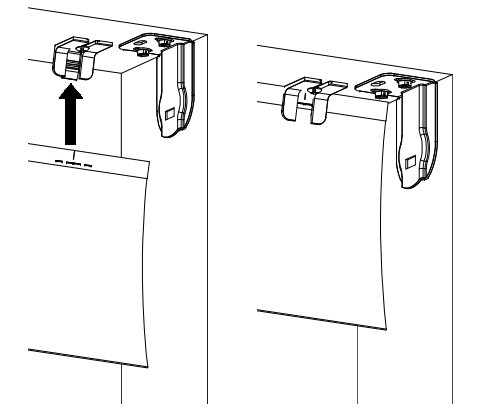


- For Roller Shade with Raceway: Stick plastic bracket to the double-side blown-sponge on the top of raceway.



Install top PVC light block piece for back of shade

- Insert light block piece to the back of plastic bracket and make sure the top of light block piece meet the top of window firmly.



Install the left and right light block pieces

- Install the left & right light block pieces after the shade is installed.
- For Wood light guard,
- The bullnose side of the L shape wood light block should be fixed to the left/right of the window frame.
 - Use 1.5" flat head screw to fix the wood light block pieces. Screws on the left & right light block pieces should be 4 1/2" away from top/bottom ends of the light block and middle evenly.

For Non wood (PVC) light guard,

- Tear off the double-side tape on the narrow side of light block pieces and stick the light block to the window frame.
- Place the inside of the light block next to the shade fabric. For better light blocking, the bottom of light block is recommend to be installed sloping to the front.

