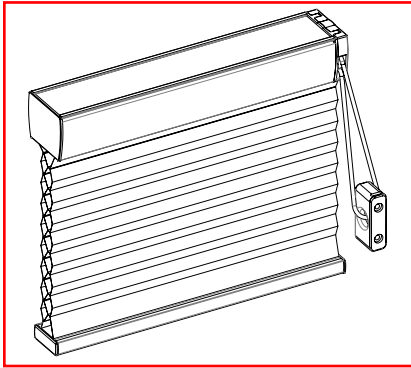


N300475-A
65101-11727-A

Installation Instructions Honeycomb Shades Continuous Cordloop



Getting Started


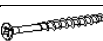
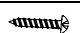


Remove shade from package. Save packaging until shade is installed and working to your satisfaction.

Tools:

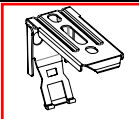
- Power drill
- Tape measure
- Screwdriver
- Level
- Pencil



Installation Screws

Surface	Fastener
Wood	#8 1 1/4" Screws (Provided) 
	M3.8x51mm screws 
	#6 3/4" screws 
Drywall/Plaster	Wall Anchors, Expansion Bolts (Not Provide) 
Metal	Sheet Metal Screws (Not Provide) 

Check Component/Hardware:



Installation Bracket



Hold Down Bracket (Optional)

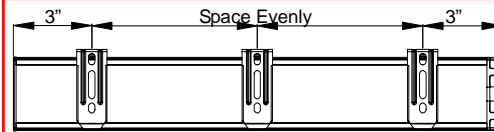
Hardware Standard Quantity

Order Width (X)	X	39" < X	66" < X	93" < X	93" < X
	39"	66"	93"	120"	120"
Installation Bracket	2	3	4	5	
Hold Down Bracket (Optional)	2	2	2	2	
Spacer Block (Optional)	1pc for extend distance 10mm 2pcs for extend distance 18mm				
2" Screw for Installation Bracket with spacer block	4	6	8	10	
M3.8x51mm screw for Tensioner	2	2	2	2	
1 1/4" Screw for Installation Bracket	4	6	8	10	
3/4" Screw for Hold Down Bracket	4	4	4	4	

Note: Optional flat head screw included. Use as needed.

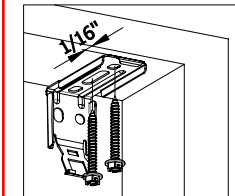
Step 1: Bracket Installation

Measure 3" from both ends of the head rail. Mark bracket location on the mounting surface.



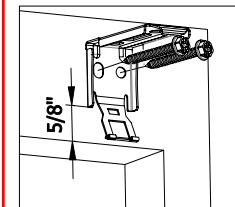
Inside Mount

- Allocate a min. distance of 1/16" from wall to the front of brackets as below drawing.
- Use two #8 1 1/4" mounting screws to secure brackets. Use wall anchors for drywall or plaster wall.



Outside Mount

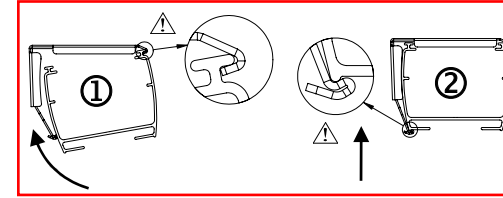
- Allocate a min. distance of 5/8" from wall to the bottom of brackets as below drawing.
- Use two #8 1 1/4" mounting screws to attach each bracket. Use wall anchors for drywall or plaster wall.



Step 2: Shade Installation

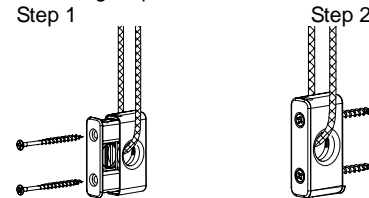
- Position head rail at an angle so that it is hooked to the front of the bracket. Then push it upward to snap into the bracket.

⚠ For proper installation, start with attaching the front rail to the bracket.

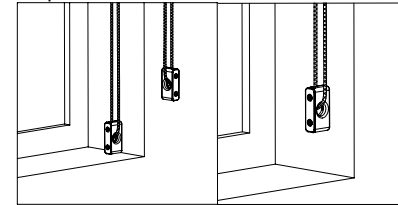


Step 3: Cord Tensioner Installation

- Make sure the cord is tightened / taut without stretching, twisting or crossing, and the tensioner and control cord does not interfere with raising or lowering the shade before cord tensioner is mounted.
- Use 2pcs M3.8x51mm screws to mount the cord tensioner to the wall or window frame firmly for both inside & outside mount. Please refer to the following steps:

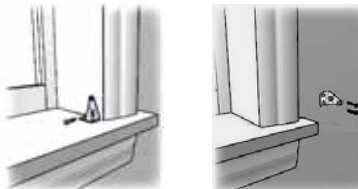


Step 3



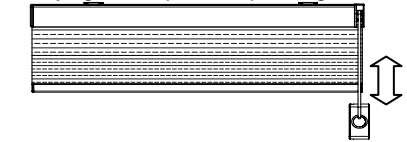
Step 4: How to Install Hold Down Brackets (optional)

- Use #6 3/4" screw to secure each bracket.



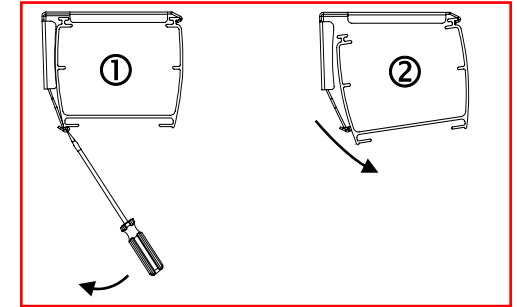
Step 5: Shade Operation

- Pull cord to operate shade. Cord Tensioner must be fully tightened prior to operating the shade.



Remove the Shade

- Fully raise the shade.
- Gently pry the bracket off the head rail with a flat screwdriver.
- Remove the shade.



Note

- Keep away from heat, sparks and open flame.
- Larger windows may require two people to install.
- Proper In the process of installation, must support the shade firmly to avoid it fall down too quick to damage the people or itself.
- Operate shade only by pulling the cord.
- To ensure child safety, install cord cleat and tighten up any loose cords after the shade is installed

Cleaning

Routine cleaning will help maintain the beauty of your shade. The shade can be cleaned by using a soft brush, vacuumed with a low suction hand-held vacuum, cleaned ultrasonically (specify that a mild solution must be used and that the head rail should never be immersed in liquid), or dampen a clean cloth with a warm water and mild detergent solution to dab the spot until it's gone (do not rub!).

