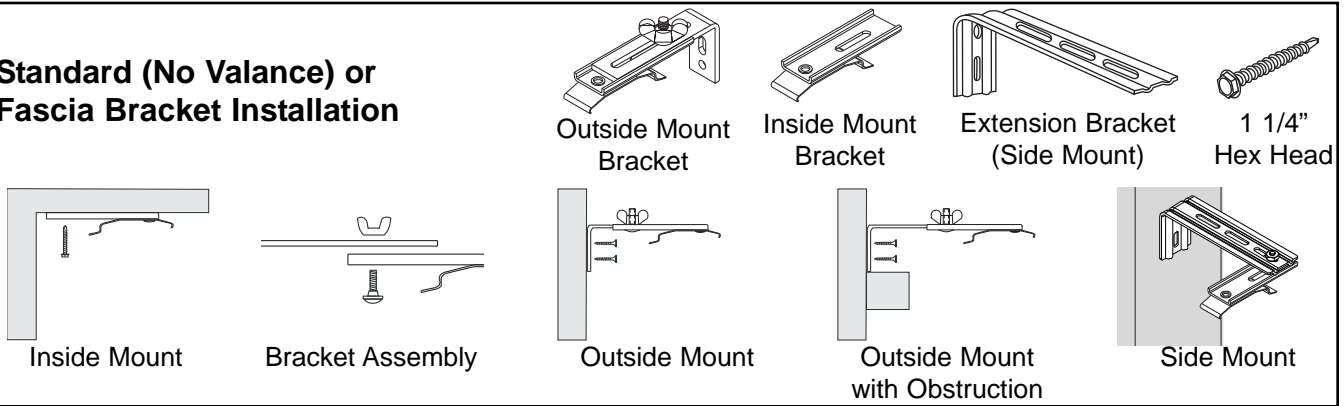
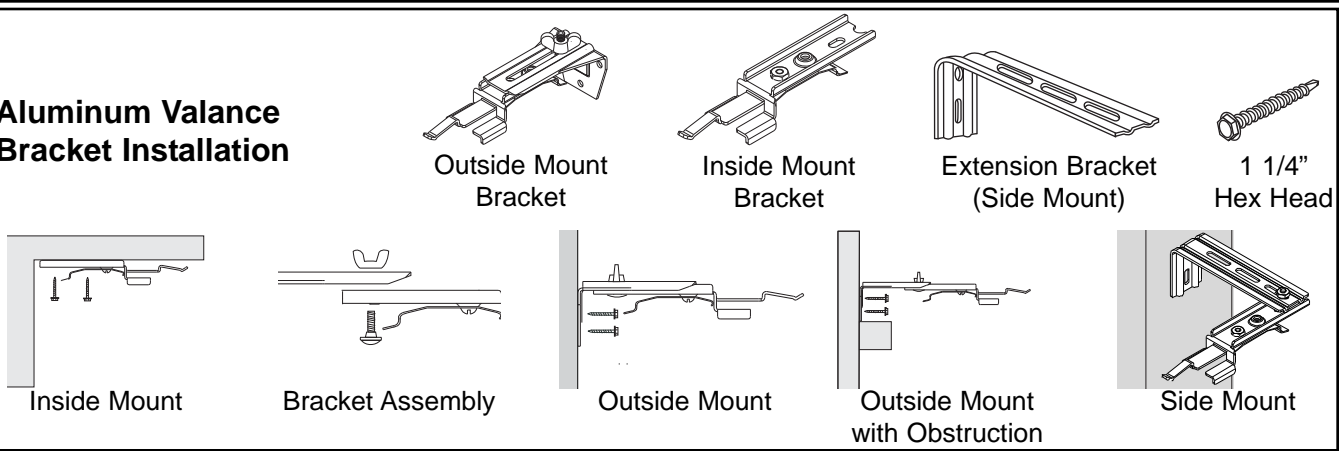


Drapery Sheer Quick Install

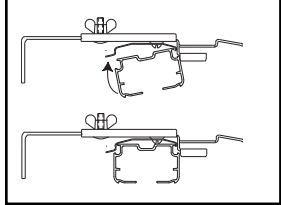
Standard (No Valance) or Fascia Bracket Installation



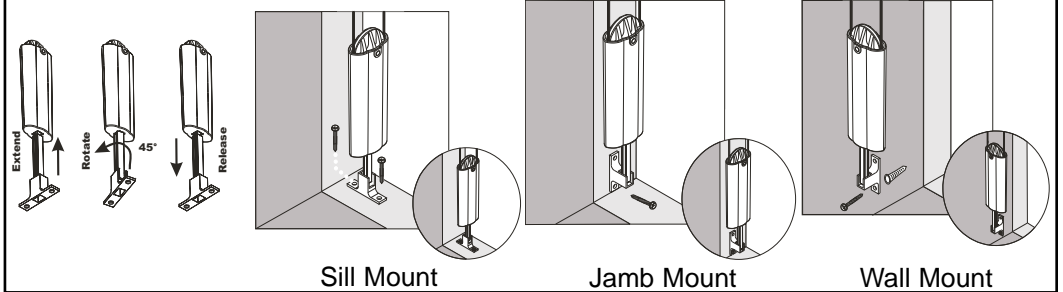
Aluminum Valance Bracket Installation



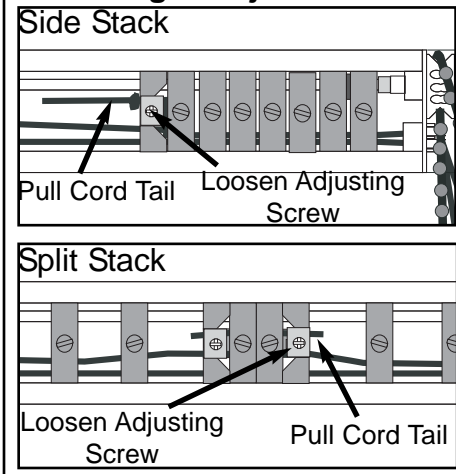
Track Installation



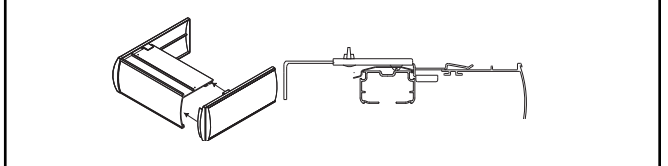
Cord Tensioner Installation



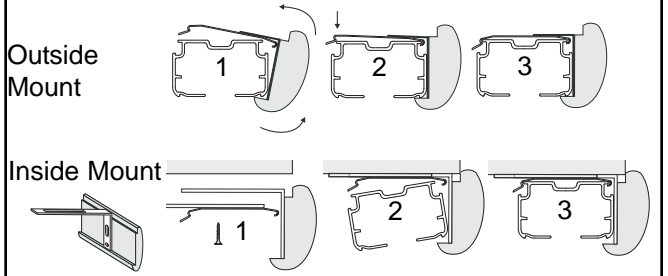
Cord Length Adjustment



Aluminum Valance Installation



Fascia Installation



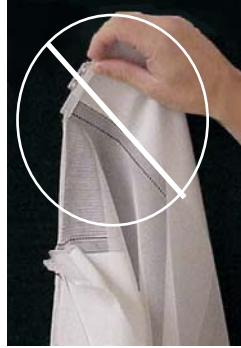
Please Review All Instructions Before Proceeding

NOTE: Room Darkening Vane Option: If using a track system other than the one described on page one, the room darkening vane hangers may need to be installed prior to Fabric Panel Installation. Simply slide the vane hanger onto the carrier before inserting the fabric panels into the carrier.

Installing Fabric Panels

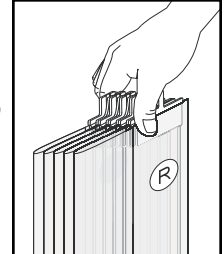
1. Open Panel One

- Carefully unpack Panel One.
- Do not stretch fabric or allow it to hang from the top edge or single hangers.



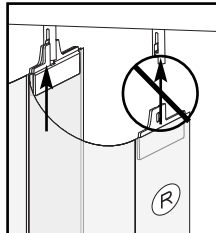
2. Prepare Fabric For Install

- Fold the top two layers of fabric back.
- Orient the end of the Fabric Hangers so the sheer billows face you.
- YELLOW LABEL on the LEFT.
- RED LABEL on the RIGHT.



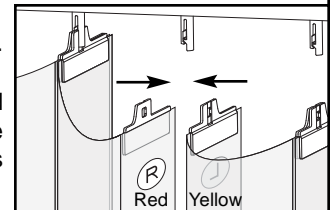
3. Insert Fabric Into Carriers

- Start on the left side of the track.
- One by one insert the Fabric Hangers into the carriers.
- **Do Not** snap the last Fabric Hanger into the carrier.



4. Open Panel Two

- Carefully unpack Panel Two.
- Connect Panel One and Panel Two by snapping the mating fabric hangers together.
- RED of Panel One to YELLOW of Panel Two.
- Insert Fabric Hangers into carriers as described in Step 3.



5. Install Remaining Panels

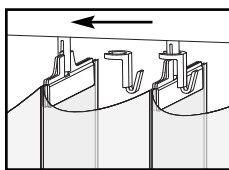
- Repeat Steps 1 through 4 for all remaining panels.

NOTE: For Split Stack, be sure NOT to connect the two center Fabric Hangers in the middle that separates the shade into left and right sides.

Installing Optional Light Filtering or Room Darkening PVC Vanes

1. Install Vane Hangers

- Snap Vane Hangers onto carrier stems above the Fabric Hangers.
- Snap onto the left side of carrier if desired tilt direction is to the right.
- Snap onto the right side of carrier if desired tilt direction is to the left.



2. Install Room Darkening Vanes

- Reach behind the fabric and hang the vanes on the Hook of the Vane Hangers from the back side of the billows.

