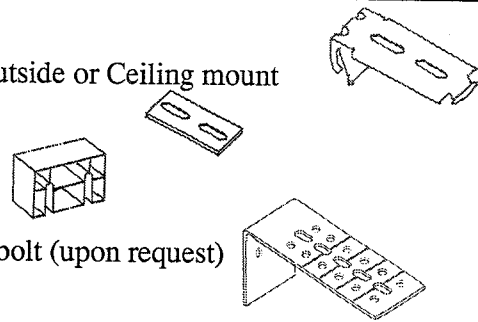


CONGRATULATIONS! You have purchased the best Cellular Vertical blind product made in America by Vista Products, Inc. Please read the instructions completely before beginning. Proper installation of this product will provide years of reliable operation and enjoyment.

Parts Included:

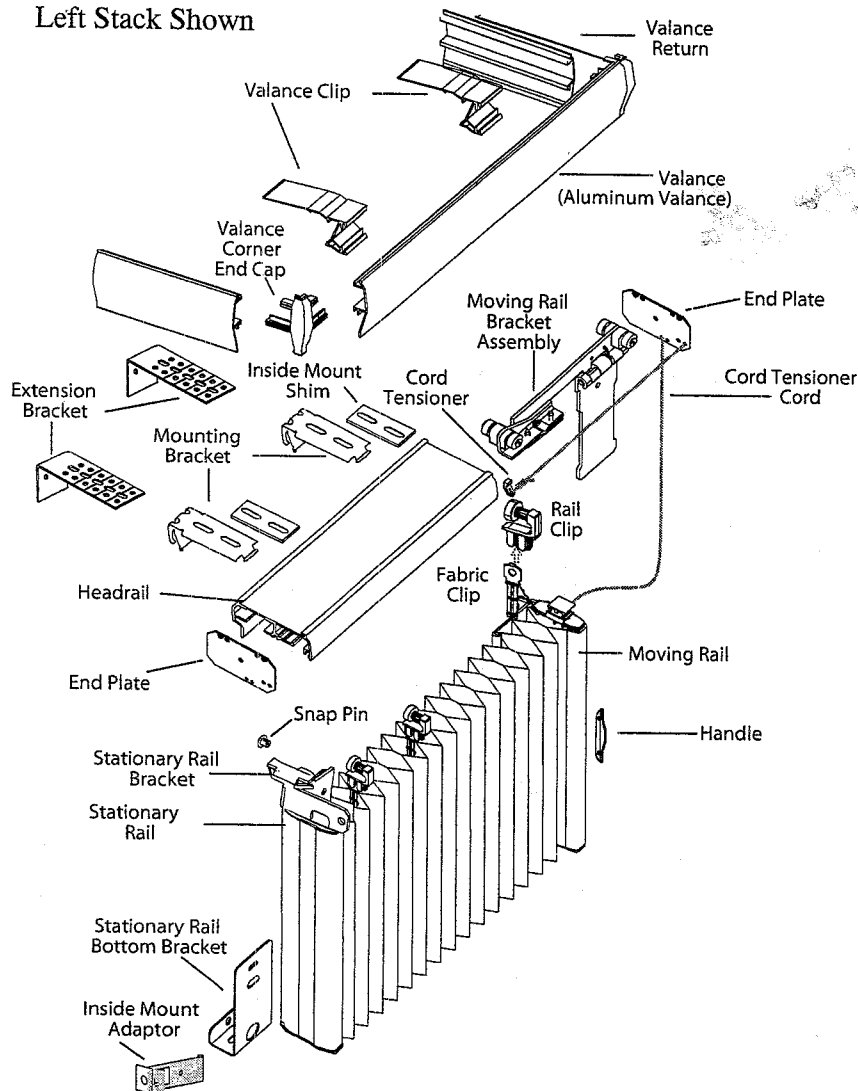
1. Universal mounting bracket - Inside, Outside or Ceiling mount
2. Installation shim (inside mount only)
3. Spacer block (outside mount only)
4. Optional Extension bracket with nut & bolt (upon request)
5. Wood / metal screws



Your Cellular Vertical will arrive in multiple pieces. Assembly is required.

1. Headrail
2. Valance
3. Shade (includes moving rail(s) & bracket, stationary rail & bracket, cord tensioner and end plate.)
Split stack shade will be in 2 pieces connected by a common cord.

Left Stack Shown



Tools Required:

1. Pencil
2. Metal tape measure
3. Level
4. Screwdriver - phillips #1
5. Screwdriver - hex head 1/4"
6. Drill with 1/16" bit (for pilot holes)
7. Scissors
8. Rubber mallet

Fabric Information:

Fabric color is apparent on one side of the shade only. Most cellular fabrics are white on the back side.



General Information:

You will need a supply of fasteners to attach the installation brackets. Mounting screws are included for wood, aluminum or sheet metal surfaces. If you plan to install into a hollow wall, you will need to purchase the appropriate hollow wall anchors. Seek the advice of an expert at your local hardware store.

Installation brackets are attached when mounting inside the window/door frame, ceiling mount, or outside the window/door opening. Shims are used for inside mount allowing headrail to snap into the bracket easier.

Spacer blocks are included for outside mount to clear molding or other obstructions that protrude more than 5/8" toward the fabric. Each spacer adds 1/2" clearance. You can use up to 2 spacers per bracket. The supplied screws are not long enough to accommodate spacer blocks.

Optional extension brackets project the installation brackets up to 3 1/4" from the mounting surface allowing additional clearance for obstructions such as window cranks, door knobs and handles. After brackets are securely mounted to the wall, position the mounting brackets so that the front of the clip is flush with the front of the wall bracket. Secure the mounting bracket by tightening the nut and bolt.

Care and Cleaning:

Dusting - Regular light dusting with a feather duster is all the cleaning needed in most circumstances.

Vacuuming - Use a hand-held vacuum with low suction for more thorough dust removal.

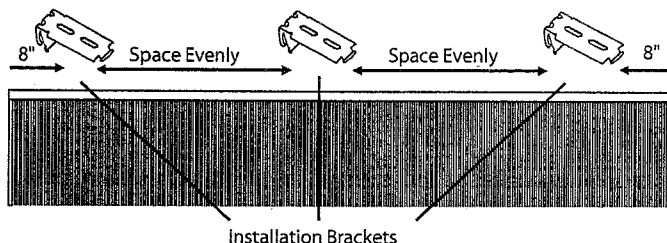
Removing the Headrail

If you need to remove the headrail... Remove the valance by popping the valance off of the headrail. Hold the headrail assembly and push back on the bottom tab of the mounting bracket to release the bottom edge of the headrail. Roll the back of the headrail downward and out from the bracket. Caution: because the bracket is stiff, the headrail may be difficult to remove. Use a flat blade screwdriver wrapped in a soft cloth. Push the blade against the bottom tab of the mounting bracket and twist slightly to pop the rail off the bracket. Be careful not to scratch the headrail.

Bracket Placement

When installing inside, ceiling, or outside mount, measure in 8" from the ends of the headrail and mark the installation bracket location. Space any additional brackets evenly between the two end brackets.

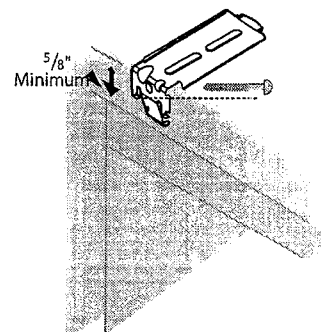
Pre-drill pilot holes using 1/16" drill bit.



Outside Mount

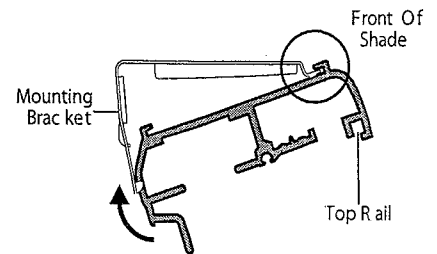
With outside mounts, attach the back of the installation bracket to a flat vertical surface at least 5/8" high.

Position the brackets at the locations marked, with the top of the bracket at a height equal to the ordered height plus desired floor clearance (at least 1/2"). Use a level to ensure that the brackets are level and aligned. Mount the brackets using the appropriate fasteners, 1 per bracket.



Slip the headrail into the installation brackets so that the front of the bracket slides under the front groove on the top of the rail. Gently roll the back of the headrail up and push back to snap into place.

Note: The headrail will not slide in the mounting brackets once installed.



Side Stack

Remove the end plate from the stationary side of the headrail.

Pick up the rails and fabric as one unit and slide the rollers of the moving rail bracket onto the rear track of the headrail. (Figure 1) Slide the rail clips onto the back groove in the front of the headrail.

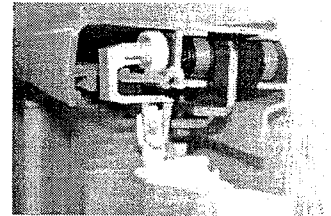


Figure 1

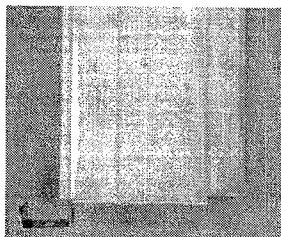
Install the stationary rail. The stationary rail bracket has two slots at the top. The back tracks of the headrail fit into these slots. Insert the stationary rail bracket into the back track of the headrail and twist 90° to lock in place. (Figure 2) Make sure the stationary rail bracket aligns with the end of the headrail. You may need the rubber mallet to move the rail bracket to the end of the headrail.



Figure 2

The cord tensioner is already inserted into the front groove of the headrail at one end.

Unwind the cord from the end plate. Install the end plate on the stationary side with a screw being careful to keep the cord running through the plate.



The stationary rail is the vertical rail. The stationary rail bottom bracket is already inserted into the bottom of the stationary rail. (For split draw, each stationary rail will have a bracket.) Leave at least 1/2" of the bracket showing below the rail. The base of the bottom bracket should extend toward the window.

Split Stack

2 person installation is recommended.

Left and right sets of rails and fabric are joined by a common tension cord.

Remove the left end plate from the headrail.

Unwind the cord from the end plate.

Pick up the left set of rails and fabric as one unit and slide the rollers of the moving rail bracket onto the rear track of the headrail.

Install the stationary rail (as shown above). Install the left end plate with a screw.

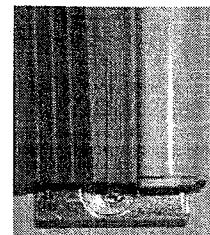
Pick up the right set of rails and fabric as one unit and repeat the previous step.

The cord tensioner is already inserted into the front groove of the headrail at one end. Install the right end plate with a screw being careful to keep the cord running through the plate.

Outside Mount cont.

Secure the Stationary Rail

Use a level to ensure that the stationary rail is vertical when viewed from both the front and the side. Secure the screw through the stationary bottom bracket and into the mounting surface. (Secure both rails for split stack.) You may use a spacer block or extension bracket to mount the stationary rail away from the wall.



See Shade Adjustment.

Inside Mount

To install an inside mount cellular vertical, the entire system has to be assembled in a large, cloth covered open area then carefully lifted up and installed into the brackets. Larger installations will require two people. Gather and layout all the components needed for the installation.

Inside or ceiling mount cellular verticals require approximately 2" of depth for proper installation and operation. For flush mount, the opening must be at least 3" deep. Additional depth is required if the shade needs to be moved away from molding or other obstructions that protrude more than 5/8" toward the fabric.

Place the shim on top of the mounting bracket. Position the installation brackets and shims so that tops of the brackets attach to a flat horizontal surface. Use a level to ensure that the brackets are level and aligned. Mount the brackets using the appropriate fasteners, 1 per bracket.

Side Stack

Remove the end plate from the stationary side of the headrail.

Pick up the rails and fabric as one unit and slide the rollers of the moving rail bracket onto the rear track of the headrail. (Figure 1)

Slide the rail clips onto the back groove in the front of the headrail.

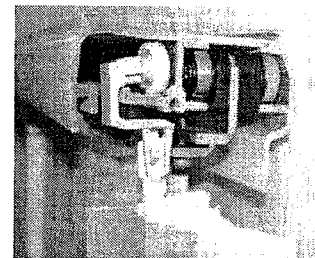


Figure 1

Split Stack

Remove the left end plate from the headrail.

Unwind the cord from the end plate.

Take the left set of rails and fabric as one unit and slide the rollers of the moving rail bracket onto the rear track of the headrail. Take the right set of rails and fabric as one unit and repeat the previous step.

Install the stationary rail. The stationary rail bracket has two slots at the top. The back tracks of the headrail fit into these slots. Insert the stationary rail bracket into the back track of the headrail and twist 90° to lock in place. Make sure the stationary rail bracket aligns with the end of the headrail. You may need the rubber mallet to move the rail bracket to the end of the headrail. Install the stationary end plate with a screw. (pictured left)

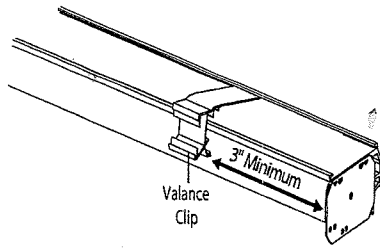


The cord tensioner is already inserted into the front groove of the headrail at one end.

Install the right end plate with a screw being careful to keep the cord running through the plate.

Place the valance clips into the headrail. Keep a minimum of 3" between the end of the headrail and the valance clips. Be sure to avoid areas where the headrail attaches to the mounting brackets.

Inside Mount cont.

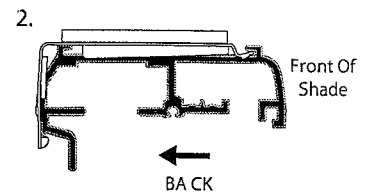
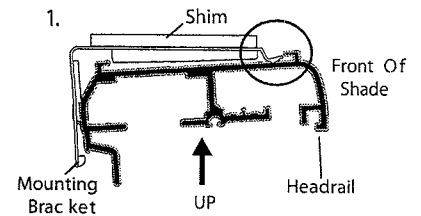


Note: Do NOT snap the valance clips completely onto the front of the headrail. Leave the end of the valance clip as shown. You will snap the end of the valance clip on later.

Gather up all the rails and fabric as one unit.

Hold the headrail parallel to the installation brackets. The front of the brackets should be under the front groove on the top of the rail.

- 1) Push the headrail straight up.
- 2) Slide the headrail into the brackets until they click.



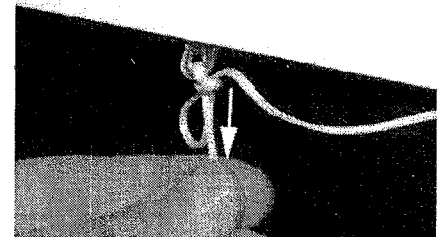
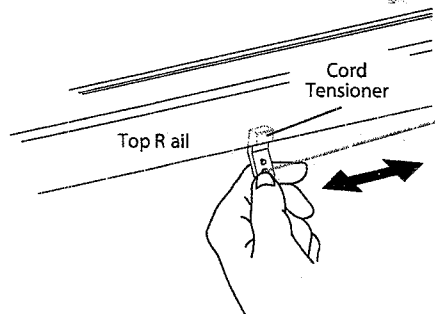
Secure the Stationary Rail

Use a level to ensure that the stationary rail is vertical when viewed from both the front and the side. Secure the screw through the stationary bottom bracket and into the mounting surface. (Secure both rails for split stack.)

Use the inside mount adaptor to secure the stationary rail to the side of the casement. You may use a spacer block or extension bracket to mount the stationary rail away from the wall.

See Shade Adjustment.

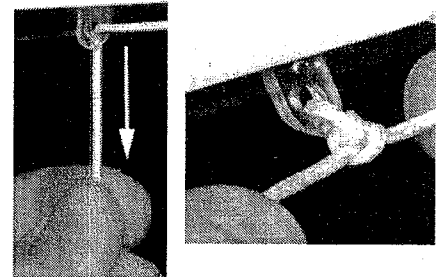
Shade Adjustment



Install cord in tensioner.

Slide cord tensioner to approximately 12" from the end of the headrail.

Form a loop in the cord and push loop through the hole in tensioner. Insert the free end of the cord through the loop and pull to tighten.



Move the moving rail to check the amount of tension on the shade. The moving rail should slide easily but there should be enough cord tension to hold the shade in place at any position.

Decrease the cord tension if the moving rail does not move smoothly. Increase the cord tension if the rail does not hold its position.

To tension: slide the cord tensioner away from the end plate until you feel resistance. Continue to slide the cord in 1" increments to make the moving rail hold its position. Repeat as needed.

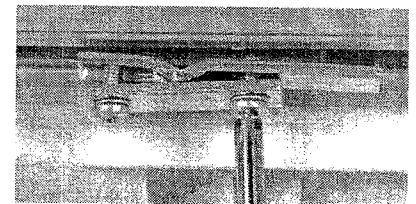
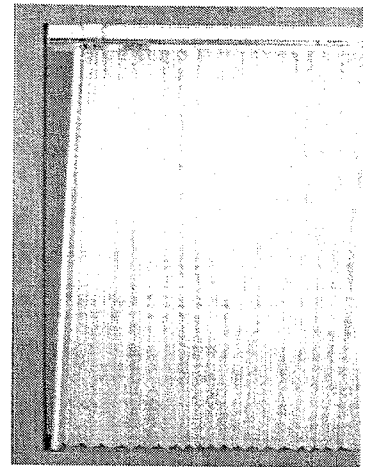
Adjust the Vertical Alignment

Check to see if the vertical rail is aligned. If not, locate the adjusting lever by carefully pushing back the top of the fabric on the moving rail side of the shade.
Tip: It is easier to adjust the vertical position of the moving if the cord tension is minimal.

To fine-tune the adjustments, do not loosen the tension. Loosen the tension to make large angle adjustments only.

To adjust the bottom end of the moving rail to the right – Loosen the left screw $\frac{1}{2}$ turn, then tighten the right screw $\frac{1}{2}$ turn. Repeat until the shade is properly aligned.

To adjust the bottom end of the moving rail to the left – Loosen the right screw $\frac{1}{2}$ turn, then tighten the left screw $\frac{1}{2}$ turn. Repeat until the shade is properly aligned.



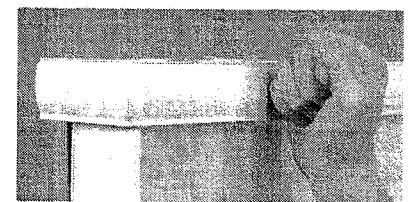
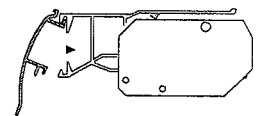
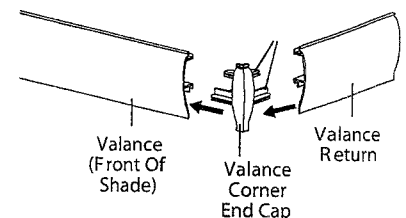
Attach the valance clips to the valance as shown in the diagram.

Assemble the returns onto the valance. Outside mounts and non-flush inside mounts only. Attach the valance return and the valance corner end cap to each end of the valance as shown.

Attach the valance to the headrail. Keep a minimum of 3" between the end of the headrail and the valance clip. Be sure to avoid areas where the headrail attaches to the mounting brackets.

Slide the valance clip under the back lip of the headrail. Rotate the valance downward to snap the clips into place on the headrail.

Tip: Tap the valance at each clip to ensure each clip is attached to the headrail.



Attach the handle(s).



Position the handle so that the holes on the flat portion of the handle are aligned with the screw holes on the moving rail.

The curve of the handle should face out, away from the fabric.

Attach each handle to its moving rail using the provided screws. Holes are pre-drilled into each moving rail.