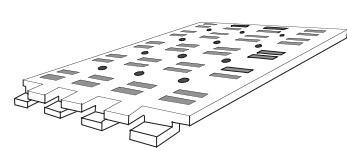


BASICS

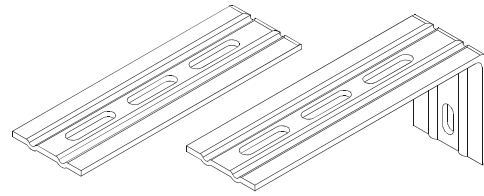
A few simple tools are required:

- Measuring tape
- Power drill, drill bits
- Hex head and/or Phillips driver bit
- Pliers
- Pencil

Additional fasteners other than those sent with your shade may be required depending on the mounting surface. Wallboard and plaster require the use of anchors such as expansion or toggle bolts. Brick, tile or stone need special plugs and drill bits. Remember to always pre-drill holes in wood to avoid splitting.



Fixplate



Outside Mount Bracket
(2 pieces)

INSIDE or CEILING MOUNT

The maximum distance between fixplates on a panel track is 32". There must always be a fixplate at the ends of the rail profiles.

Screw the fixplates in place using at least 2 screws, one on each side of the fixplate.



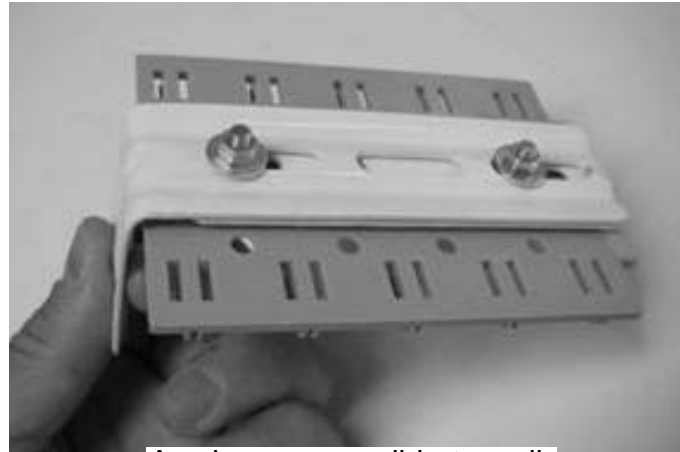
OUTSIDE MOUNT

When mounting to a wall, attach outside mount brackets to the wall at each fixplate position.

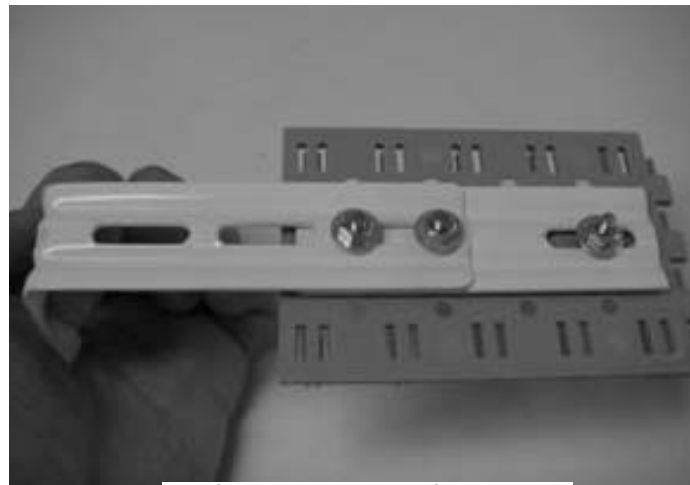
Attach the fixplates to the outside mount brackets using the nuts, bolts and washers provided.

Below are pictures of the minimum and maximum outside mount bracket configurations.

Shown without track for clarity.



As close as possible to wall



As far as possible from wall

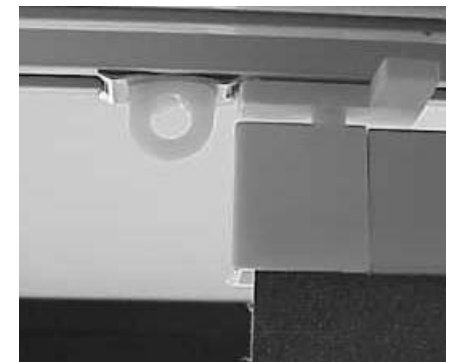
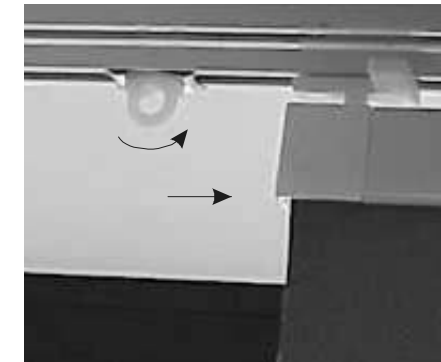
ATTACH PANELS

Start with the panel that will be the closest to the window/wall.

First push the pin on the slider into the bigger hole of the panel plug. While pushing the panel up, push the panel toward the slider. When the pin of the slider clicks into the panel holder correctly, there should be a snap. Repeat at the opposite end of the panel.



After the first panel is attached, use pliers to twist the loop on the rail stop and slide it up to the panel endcap. Push up and twist the loop back to lock it into place.



Continue to attach the rest of the panels in the same manner as the first one.

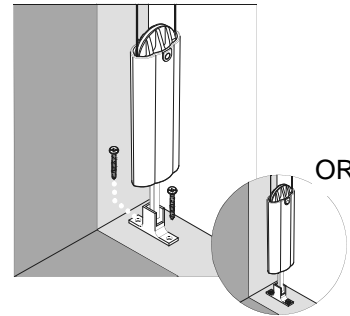


CORD TENSIONER INSTALLATION - FOR CORD CONTROL BLINDS

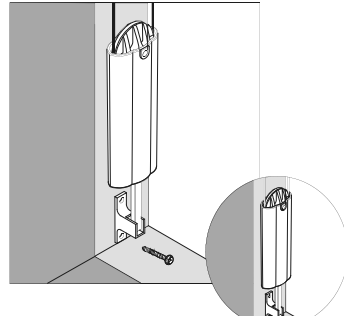
The cord tensioning device is necessary for child safety and for proper operation of the blind. A cord without a tensioner is unsafe.

1) Choose the best mounting location for the specific installation. The tensioning device may be mounted to the sill, to the jamb or to the wall.

VERSION ONE: SILL MOUNT

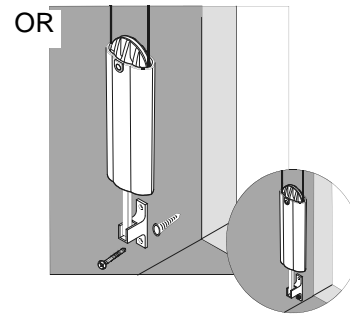


VERSION TWO: JAMB MOUNT



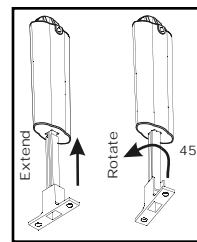
Use wall anchor to hold mounting screw in place, if needed.

VERSION THREE: WALL MOUNT



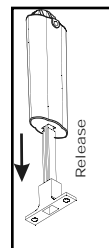
2) Fully extend tensioning device. Lock into extended position by rotating the post 45 degrees.

3) Hold the cord tensioner at the desired mounting position with the cord taut and the cord tensioning device in extended position. Screw the tensioning device to the mounting surface. If the specific installation requires that the cord tensioning device be placed in a position so that there is not tension on the cord, the cord length will need to be adjusted.



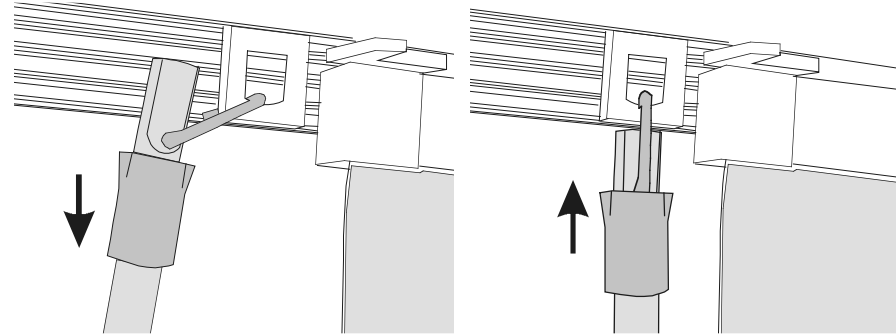
4) To adjust the cord length, locate the cord knot at the end of the front panel. Pull the knot down to shorten the cord to the desired length. Tie a new knot. Confirm that the length will provide adequate tension. When satisfied with the length of the cord, trim the excess

5) Rotate and release cord tensioning post.



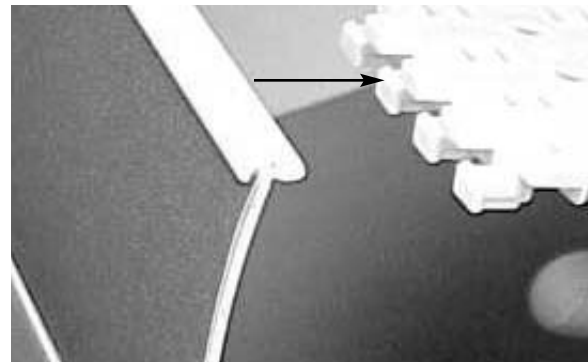
ATTACH WAND - FOR WAND CONTROL BLINDS

Slide the cover down to expose the hook. Insert the hook of the wand into the wand clip. Slide the cover up to secure.



ATTACH VALANCE

Push the valance into the tabs on the front of the fixplates.



CLEANING AND CARE

The panel fabric is easy to care for. Regular dusting with a feather duster or vacuum cleaner brush is recommended. Most stains can be blotted with a damp sponge and mild detergent. If you have any questions, call your dealer for advice.

Installation Instructions for Panel Track Blinds



Please take a few minutes to read through these instructions before beginning.